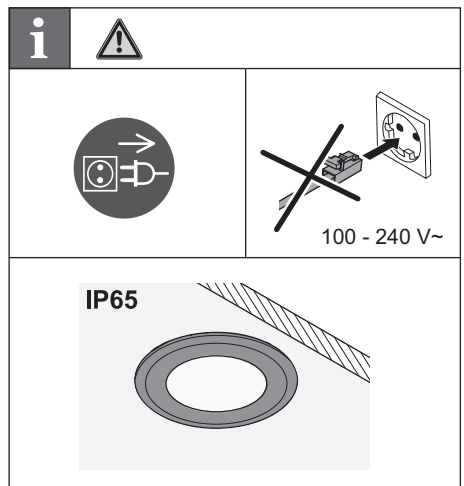
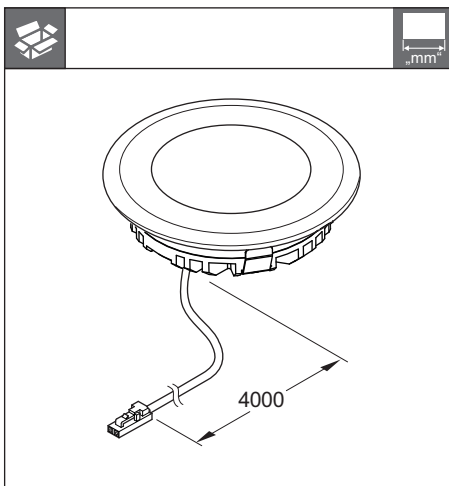








LED 2039

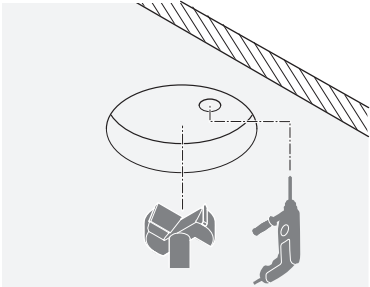
732.28.357

| 12 V System | K | W | T _A | mm | mm | |
|-------------|--------|-------|-----------------------------------|-------------|-------------|-------------|
| 833.72.091 | 3000 K | 2.5 W | -20 °C – +35 °C -4 °F – +95 °F | Ø 65 x 16.4 | Ø 75 x 26.4 | 12 V |
| 833.72.092 | | | | | | |

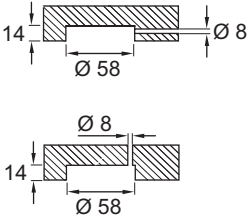


HDE 04/2015

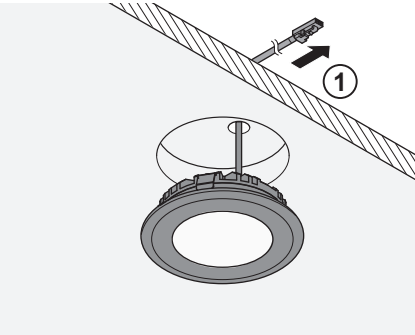
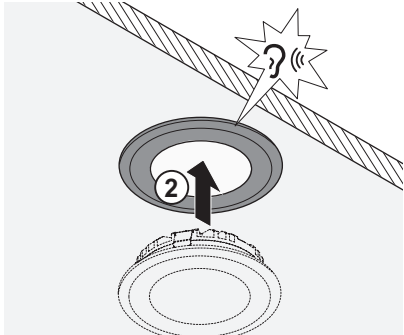
1  58 mm   8 mm  „mm“



i

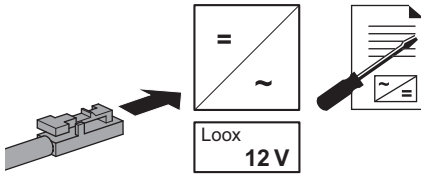



2





732.28.357

3



i 



HDE 04/2015